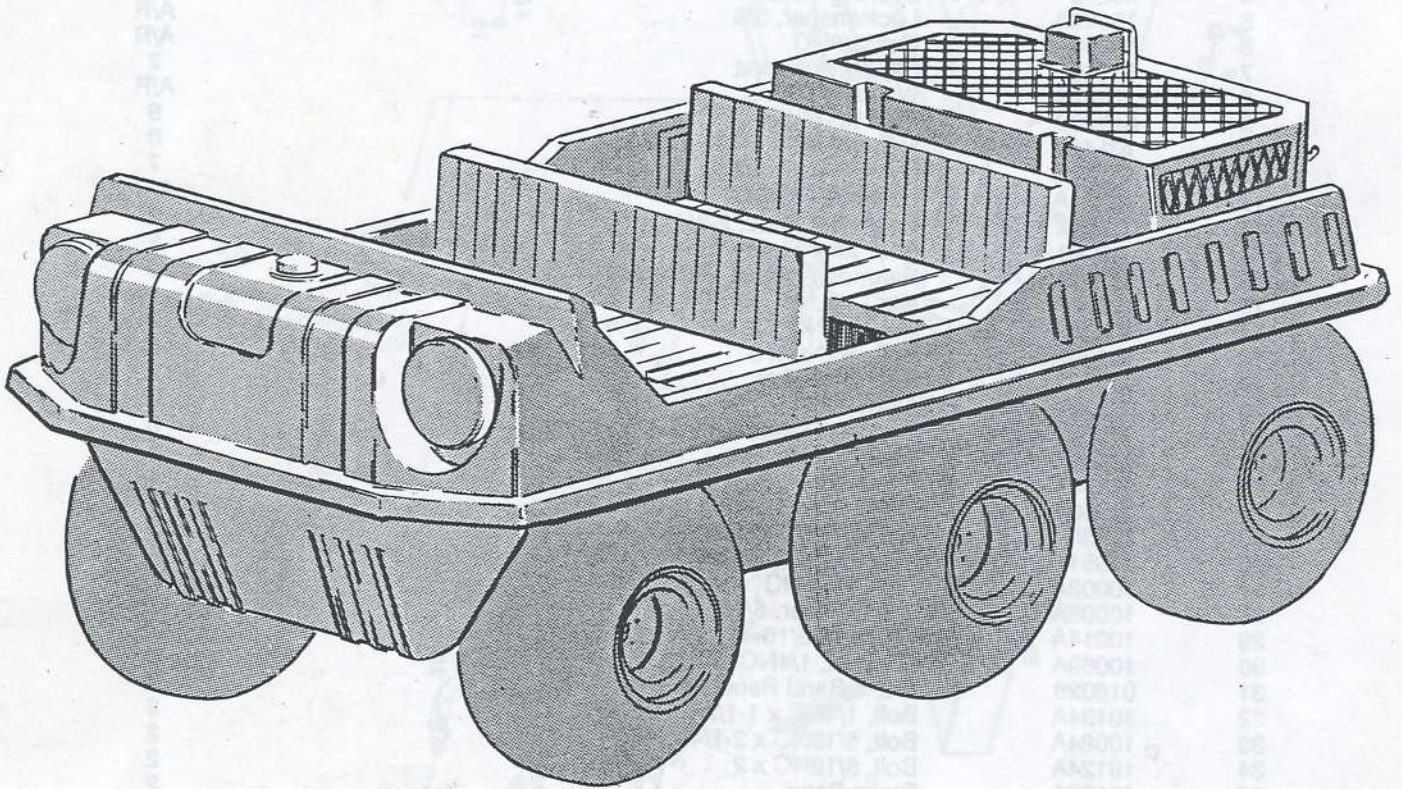


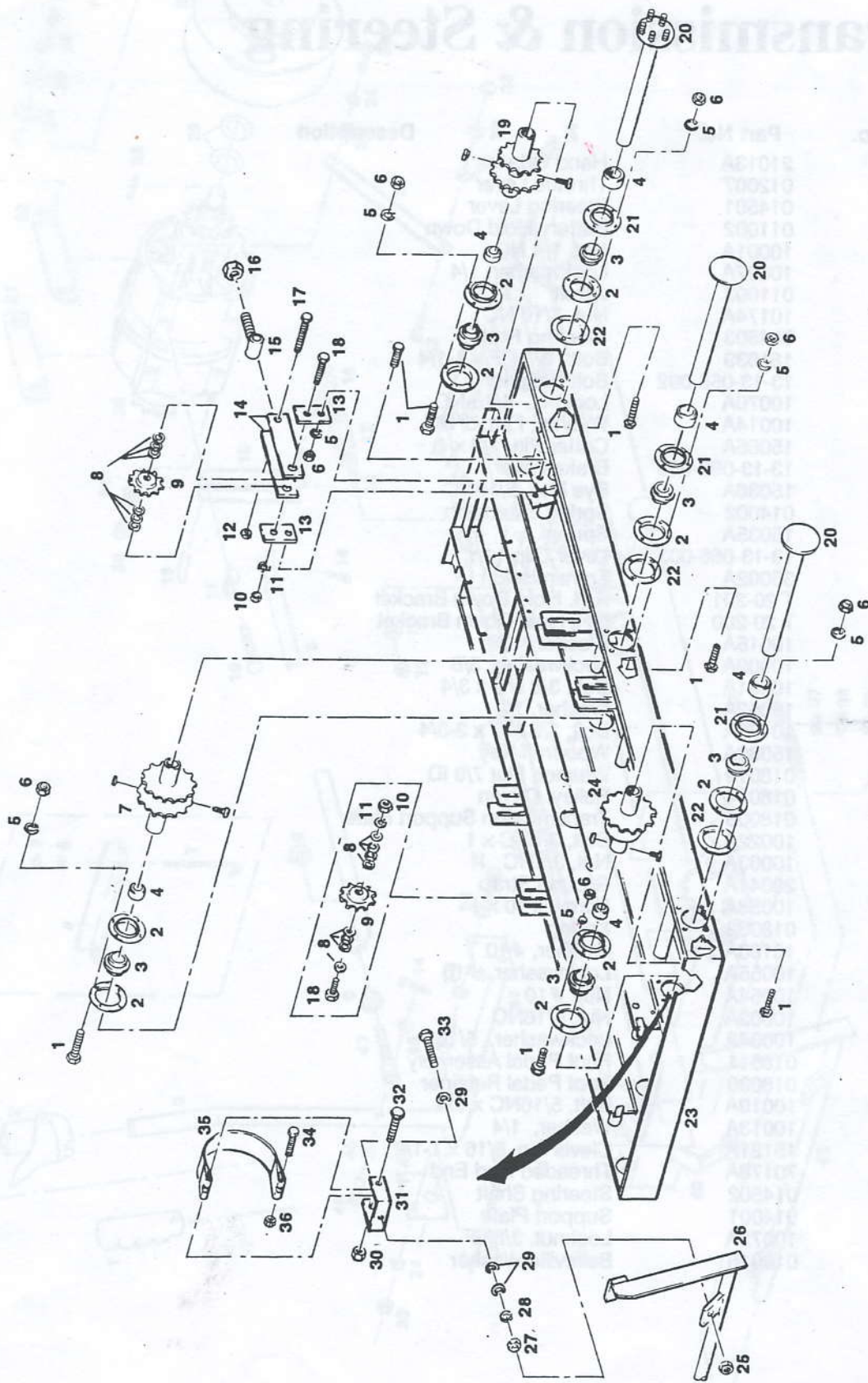
MAX IV

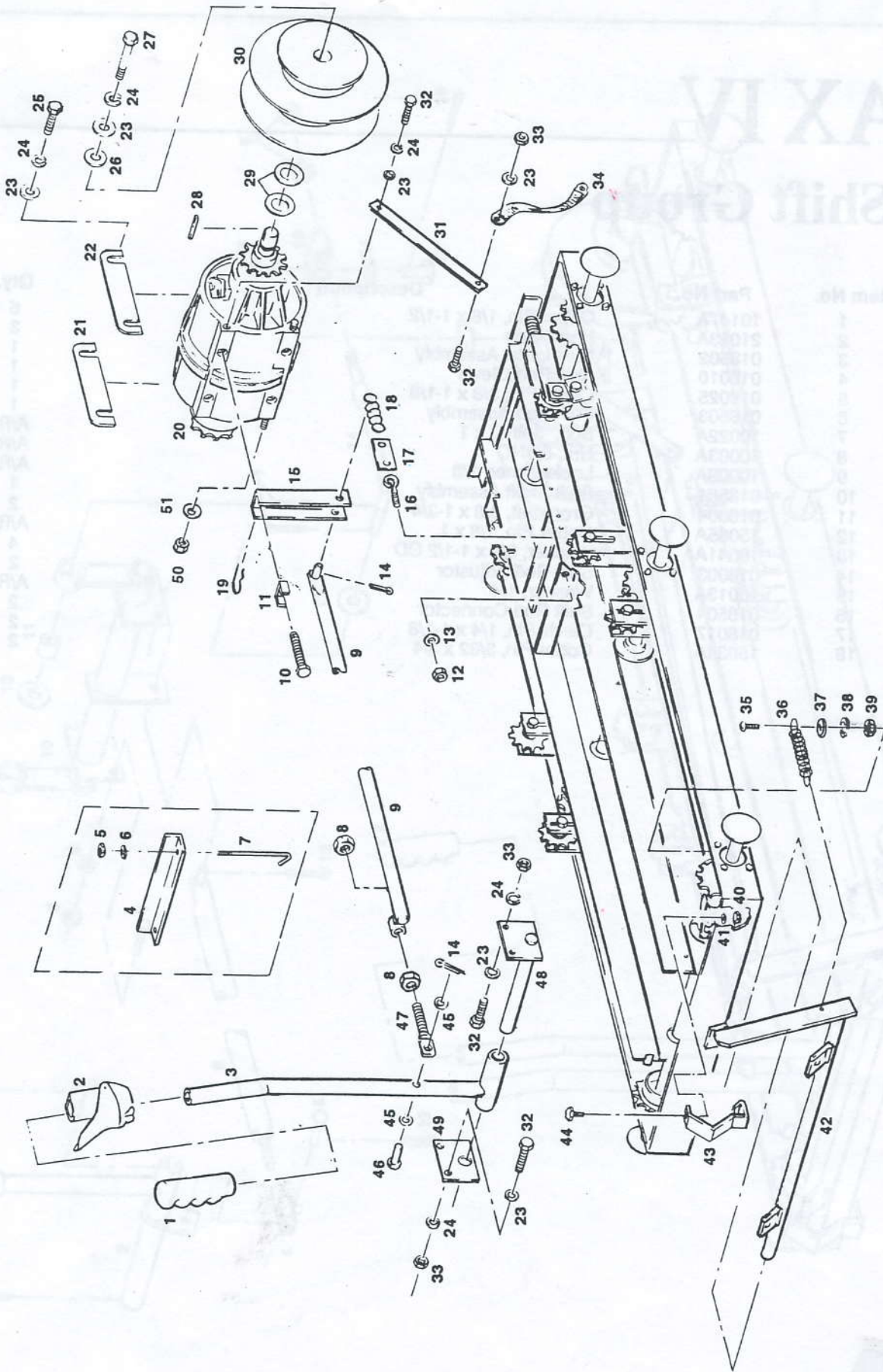
Illustrated Parts Lists

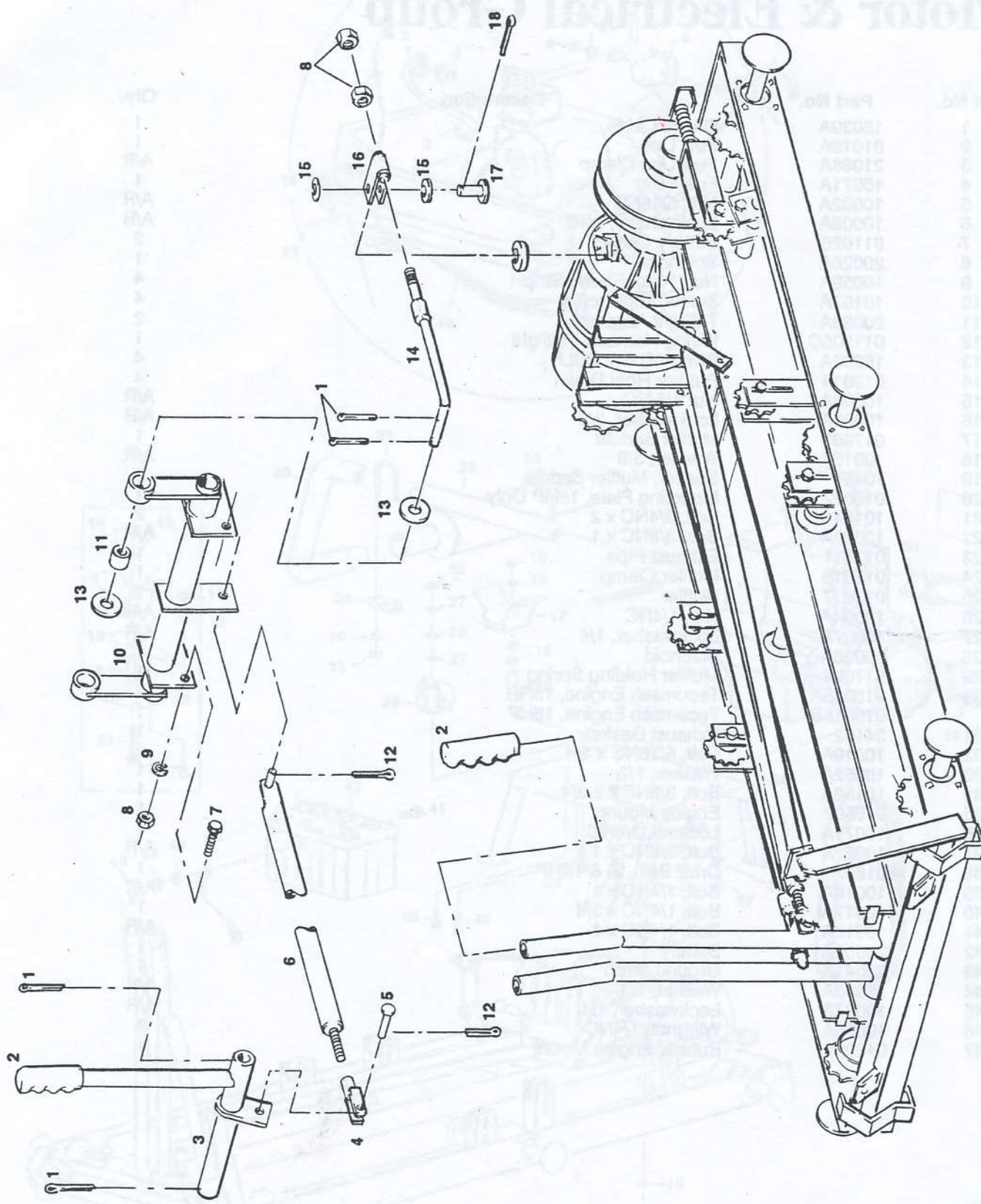


Recreatives Industries, Inc. 60 Depot St. Buffalo, N.Y. 14206 716/855-2226

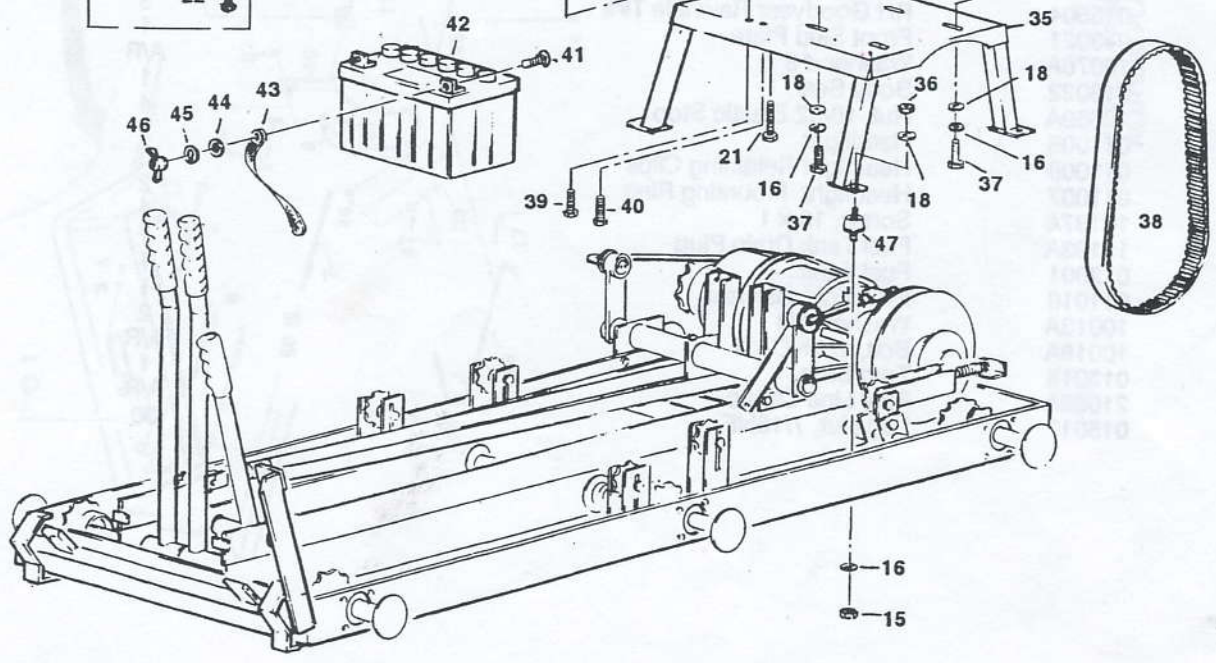
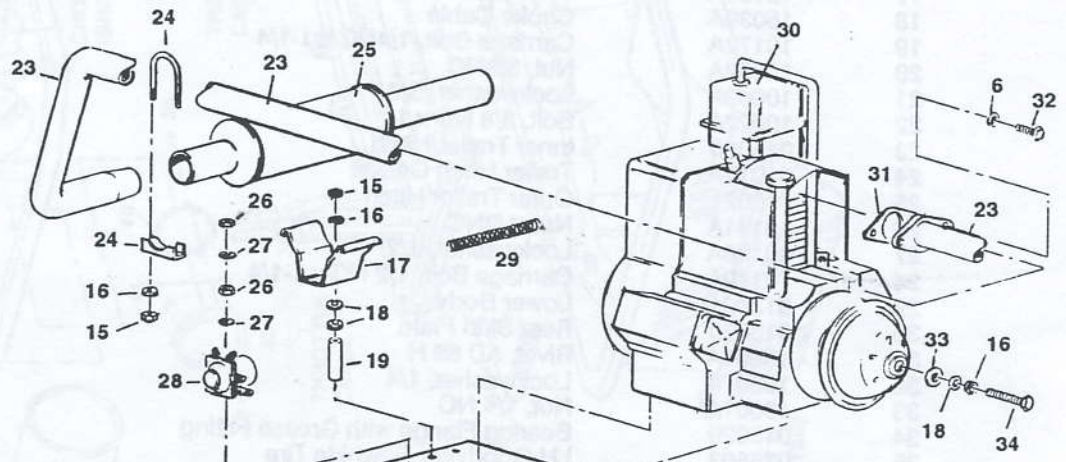
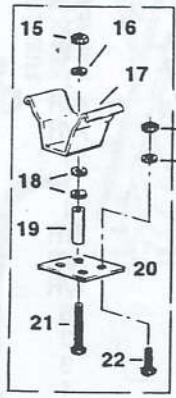
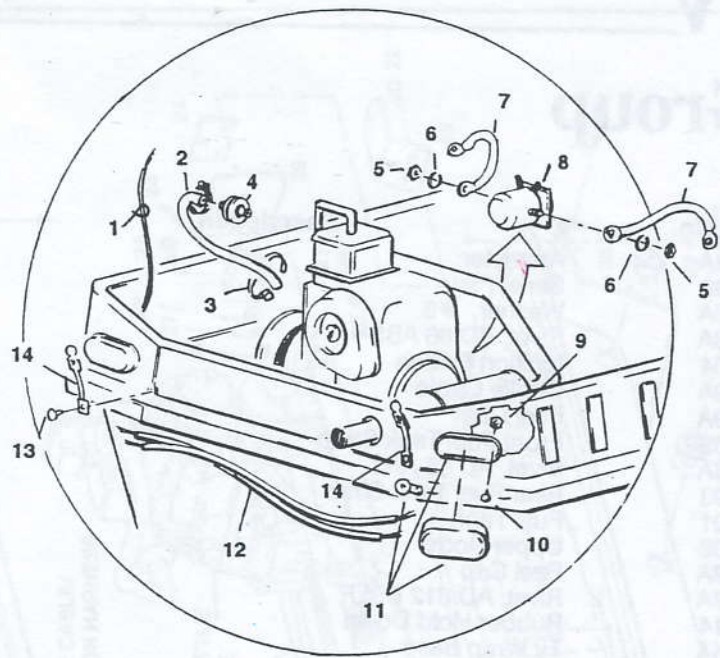


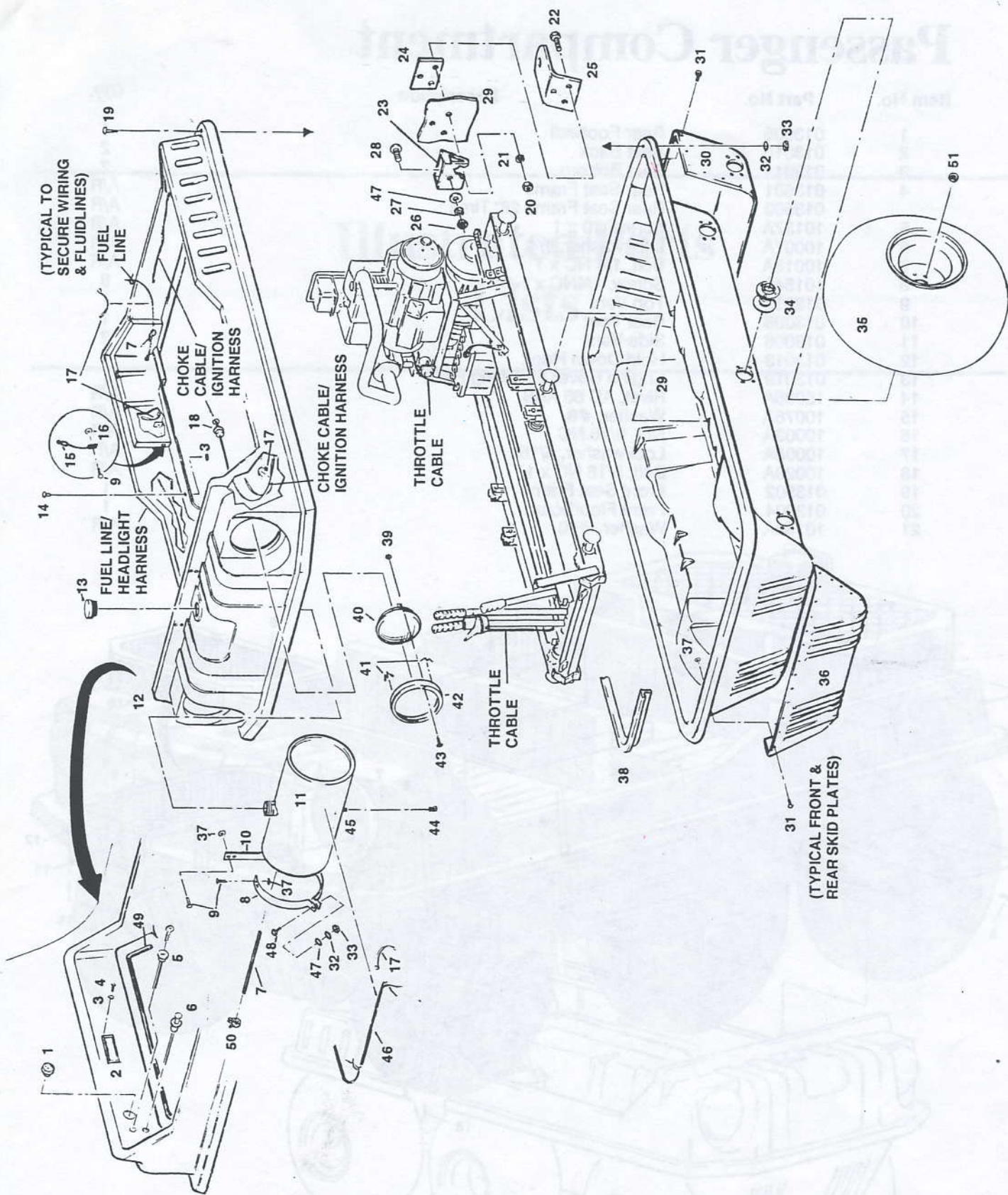






Part No	Item No
1300A	1
0101A	2
2108A	3
1017A	4
1002A	5
1700A	6
0110A	7
2025A	8
1001A	9
0110A	10
0110A	11
0110A	12
0110A	13
0110A	14
0110A	15
0110A	16
0110A	17
0110A	18





MAX IV

Passenger Compartment

Item No.	Part No.	Description	Qty.
1	013005	Rear Footwell	1
2	013010	Seat Back	2
3	013011	Seat Bottom	2
4	013501	Rear Seat Frame	A/R
	013503	Rear Seat Frame 26" Tires	A/R
5	10137A	Screw, 10 x 1	A/R
6	10007A	Lockwasher, 1/4	A/R
7	10018A	Bolt, 1/4 NC x 1	A/R
8	10154A	Screw, 1/4NC x 1-1/2	A/R
9	013012	Top Vent	8
10	013008	Rear Vent	1
11	013006	Side Vent	1
12	013013	Hold Down Hook	2
13	013019	Engine Cover Stiffening Plate	4
14	15086A	Rivet, AD 66 ABS	1
15	10076A	Washer, #8	A/R
16	10002A	Nut, 5/16 NC	A/R
17	10008A	Lockwasher, 5/16	A/R
18	10020A	Bolt, 5/16 NC x 1	A/R
19	013502	Front Seat Frame	A/R
20	013004	Front Floorboard	1
21	10180A	Washer, #10	1

